



Product.

FCCC 1/2-7/16 Right Angle Male Connector

Prod No.

FC-1109

Application and Properties:

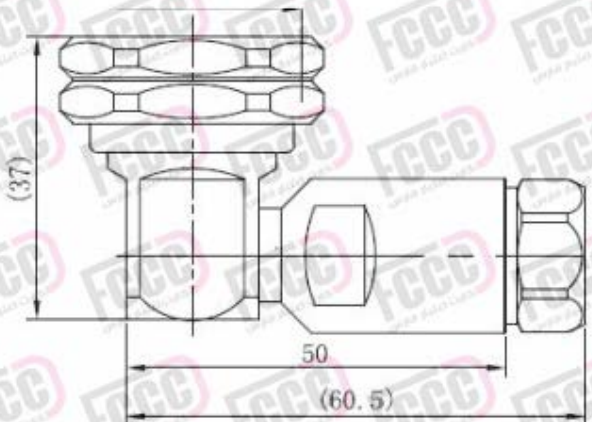
The FCCC 1/2-7/16 right angle male connector is series 7/16 RF coaxial connector, characteristic impedance is 50Ω. The crimp RF coaxial provides superior performance for both return loss and intermodulation distortion.

This 1/2-7/16 male crimp connector is connected to 1/2" superflexible feeder cable and are ideal for those applications where vibration resistance and environmental protection is important, such as radio base stations and broadcast communication applications because has features such as low RL, low IMD, high power capacity, low VSWR, and air tightness.

- Other Details

- Very robust, extremely stable and with waterproof specifications
- Low IMD and low VSWR provides improved system performance
- Excellent mechanical and environmental properties
- IP67 protection
- Excellent electrical conductivity
- Compliant with IEC, MIL-STD, RoHS, and etc

Graphics for reference only (mm)



- Technical Specification

Materials Specifications	
Housing	Brass plating with Tri-metal
Insulator	PTFE
Center Conductor	Brass / Phosphor bronze plating with Silver
Other Metal Parts	Brass
Electrical Specifications	
Impedance, Ω	50

Continuance

Frequency Range, GHz	DC-3
3rd Order IMD, dBc	≤-155
RF Operating Voltage, Vrms	≤884
DC Test Voltage, V	2500
Inner Contact Resistance, mΩ	≤0.40
Outer Contact Resistance, mΩ	≤1.00
Insulation Resistance, MΩ	≥5000
Peak Power, kW	≤10.00
VSWR	≤1.06 @0~1.0GHz
	≤1.10 @1.0~2.7GHz
	≤1.15 @2.7~3.7GHz
Insert Loss, dB	≤0.10

Mechanical and Environmental Characteristics

Durability	500
Connector Retention Tensile Force, N	890
Connector Retention Torque, N.M	5.42
Operating Temperature, °C	-40~+85
Storage Temperature, °C	-65~+125
Waterproof	IP67