



Prod.

Factory fit jumper 7/16 DIN

Prod No.

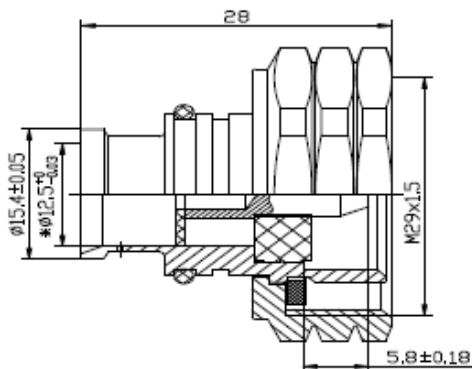
FC-JSD-716-0

Application and Properties:

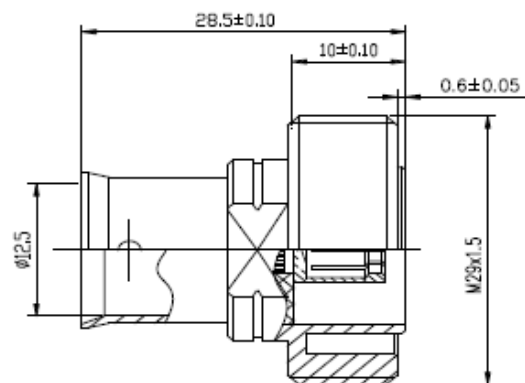
- Jumpers are commonly used for the connection of the RF cable lines with the antenna or with the radios.
- Cable and connectors have been soldered together in the production operation. Security of the joint and their concentric is guaranteed by a tight plastic cover.
- Quality of the product is tested according to IEC and MIL Standards. Material and product component: 1. Connector Right angle- Straight (male & female)
- body made by brass and plated by nickel
- Pin made by brass and plated by silver 2. 1/2" super flexible coaxial cable (length of cable depending on customer request )

- Other Details

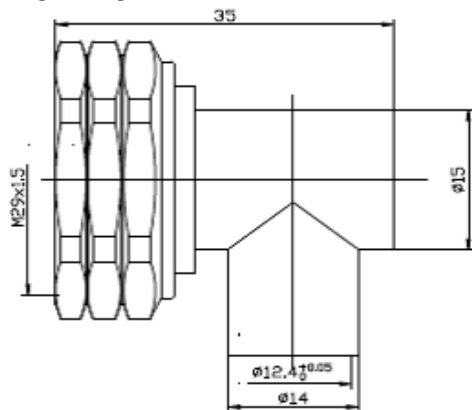
1-Straight (male)



(Female) 2- Straight



3- Right Angle



- Technical Specification

Cable Type	1/2Super Flexible
Jumper Type	Factory-Fit (Standard)
Length, m (ft)	3 (9.8) , Based on customer requirements
Connector A	7-16 DIN Straight (Male/Female) or Right Angle
Center Contact Connector A	Brass, silver plated
Outer Contact Connector A	Brass, nickel plated

Coupling Not Connector A	Hexagon nut, Nickel plated
Connector B	7-16 DIN Straight (Male/Female)
Center Contact Connector B	Brass, silver plated
Outer Contact Connector B	Brass, nickel plated
Coupling Not Connector B	Hexagon nut, Nickel plated
Dielectric	PTFE
Gasket	Silicone rubber
Sealing class	IP68
Jacket	Black Polyethylene,
Minimum Bend Radius	mm (in) 125 (5)
VSWR (Return Loss, dB), typical	<1.15 @ 1710 - 2200 MHz
Intermodulation, 3rd Order, dBc	-155 (typical)
Installation Temperature, °C(°F)	-40 to 60 (-40 to 140 )
Operation Temperature, °C(*F)	-50 to 85 (-58 to 185 )
Storage Temperature, °C(*F)	-70 to 85 (-94 to 185 )