



Fars Credit Card Company

www.telecomtender.com



Prod.

Twin 6 Cable Coaxial Clamp

Prod No.

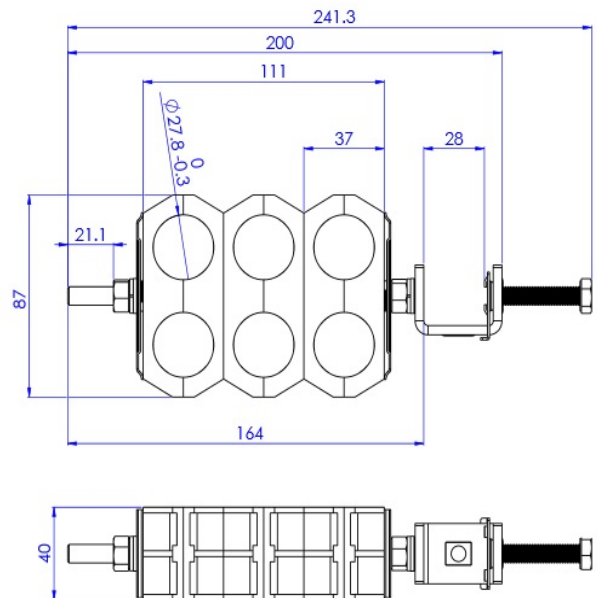
FC-CI-RO-6W-78

Application and Properties:

To setup on telecommunication ladders and towers that fixing 6 cables without any damage.

- Other Details

- Corrosion and UV Resistant.
- With tread inside the plastic component used to keep feeders.
- Easy and fast installation.



- Technical Specification

Feeder cable size	7/8 inch
Metal component,Material	Stainless steel 304
Plastic component,Material	PC reinforced with glass fiber
Cable runs	6
Resistance to corrosion	High
Temperature Operation(°c)	-15 to +60
Humidity	0 – 100 %